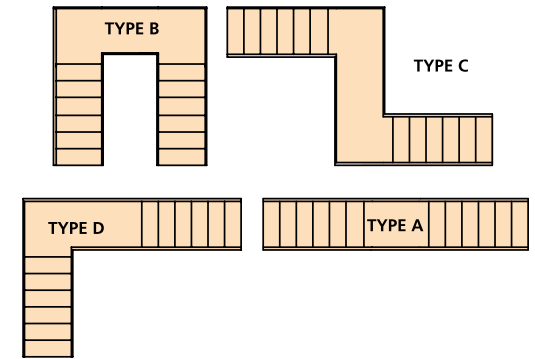
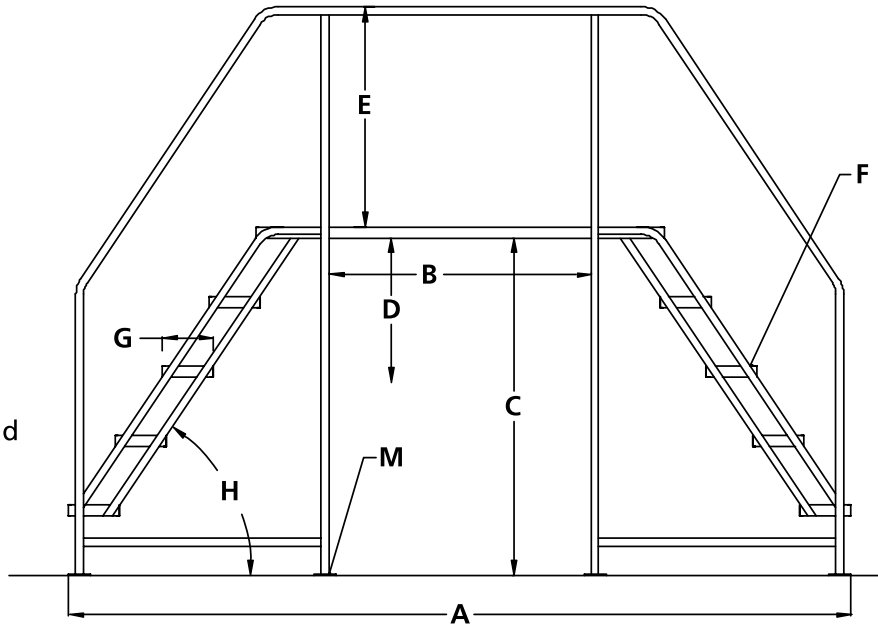




1-800-565-2165

Custom Crossover Worksheet

- A - Overall Width
- B - Insidel Width
- C - Clearance Height
- D - Conveyer Clearance
- E - Rail Height
- F - Step Width
- G - Step Depth
- H - Incline
- J - Safety Walk Adhesive Tread
- K - Grip Strut Serrated
- L - Perforated Tread
- M - With Floor Plates
- N - Aluminum
- O - Steel



DIMENSIONS													
CROSSOVER								TREAD MATERIAL				ALLOY	
A	B	C	D	E	F	G	H	J	K	L	M	N	O

Portable Crossover Options

Tri-Arc's Custom Solutions Department can design and manufacture a climbing and access solution to meet your Crossover needs. Contact a Tri-Arc sales engineer at **1-800-565-2165** for assistance.

Fax this chart to:

1-800-530-8329