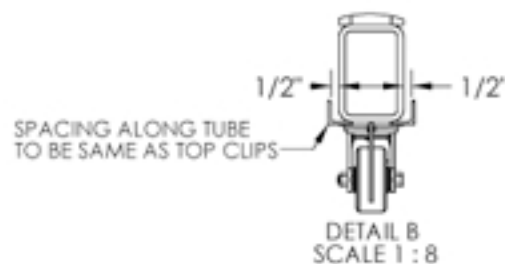
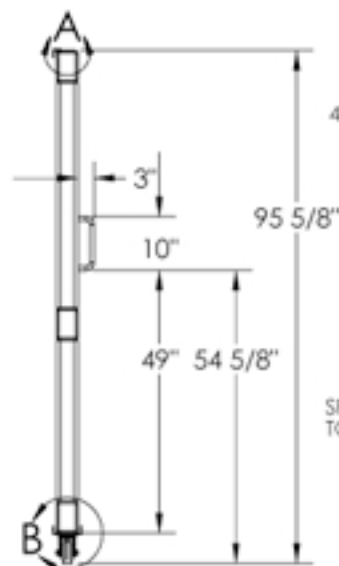
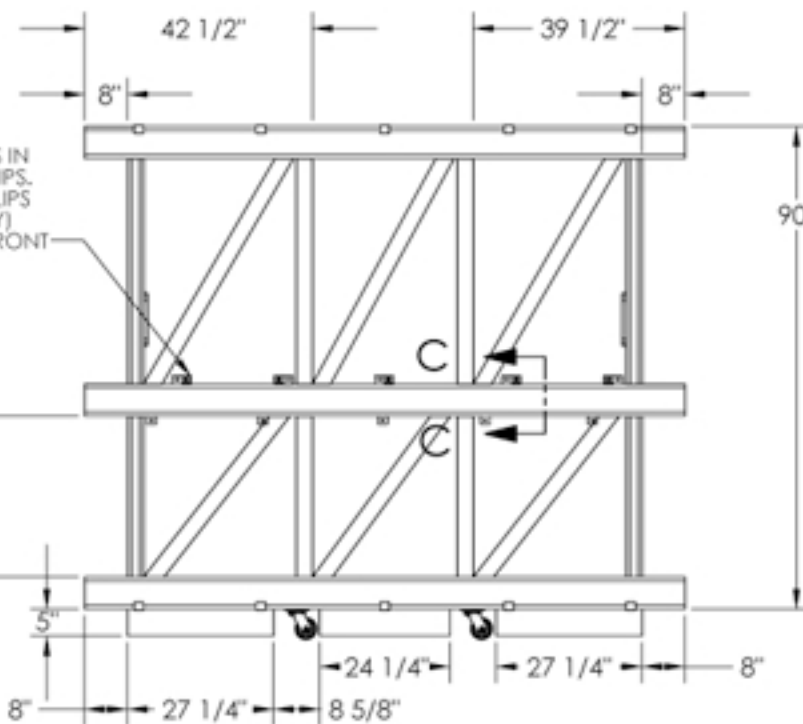


7/16" DIA HOLES IN CENTER RAIL CLIPS. SPACE BACK CLIPS (TOP HALF ONLY) OFFSET FROM FRONT



Tri-Arc Manufacturing

APPROVAL SIGNATURE:		TITLE: Interior Bulkhead	
DATE:		SCALE: 1/24"	
<small> PROPRIETARY AND CONFIDENTIAL THE INFORMATION CONTAINED IN THIS DRAWING IS THE SOLE PROPERTY OF TRI-ARC MANUFACTURING CO. ANY REPRODUCTION IN PART OR AS A WHOLE WITHOUT THE WRITTEN PERMISSION OF TRI-ARC MANUFACTURING CO. IS PROHIBITED. </small>		STD. NO. N/A MATERIAL: Steel FINISH: Safety Yellow DO NOT SCALE DRAWING	 TRI-ARC TRI-ARC MANUFACTURING CO. DRAWN: J.A.S. 3/16/07
ITEM NO.	PART NUMBER	DESCRIPTION	QTY.
1	Bulkhead	TBD	1
2	16CA04201S	TBD	2
SCALE: 1/24"		WEIGHT: 1031	SHEET 1 OF 2

REV 00