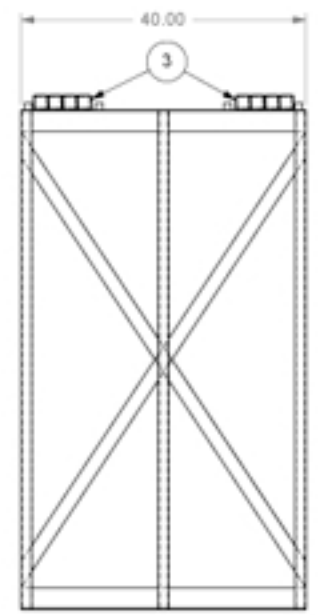
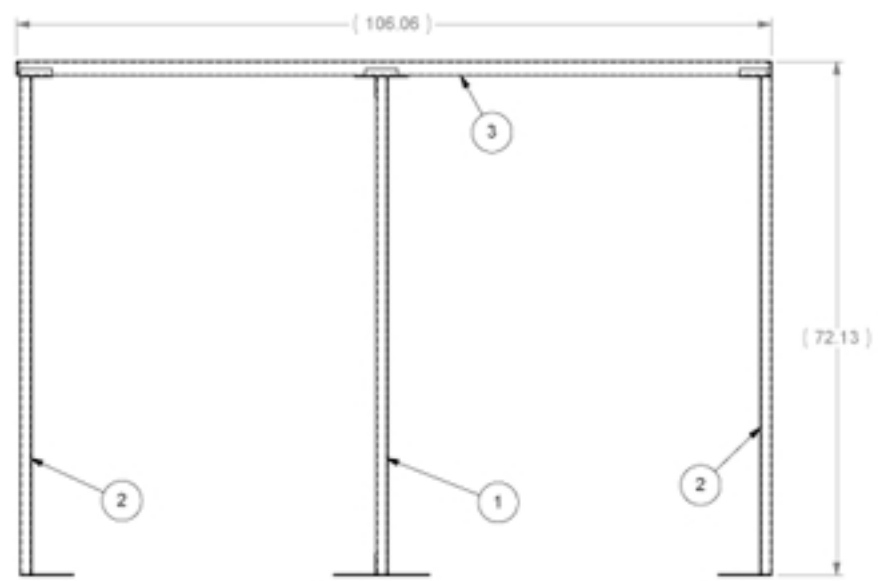
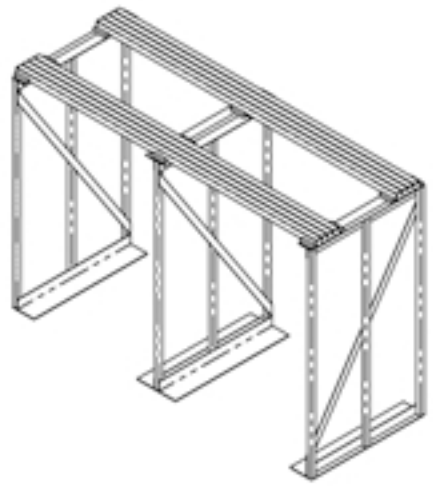
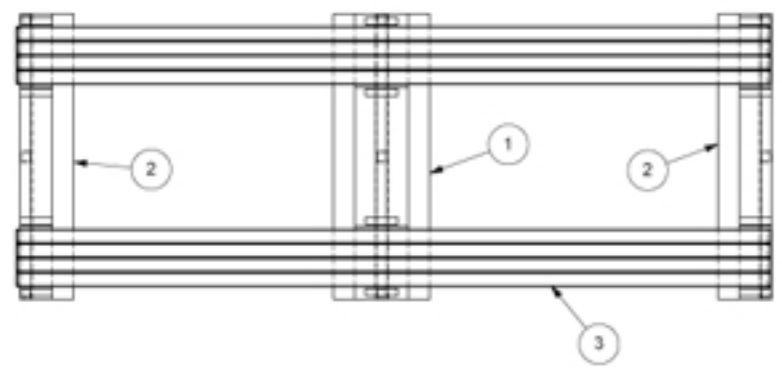


ITEM	QTY	PART NO.	DESCRIPTION
1	1	URA0002	CENTER SUPPORT
2	2	URA0003	OUTER SUPPORT
3	2	URA0004	COMPOSITE SHELF



NOTE:
TOLERANCES ON DIMENSIONS ARE
+/- .0625 UNLESS OTHERWISE NOTED

REV	DATE	DESCRIPTION	BY
K	-	-	-
J	-	-	-
I	-	-	-
H	-	-	-
G	-	-	-
F	-	-	-
E	-	-	-
D	-	-	-
C	-	-	-
B	-	-	-
A	-	-	-



PART DESCRIPTION
UPRIGHT RACK SPEC. DWG

DRAWN BY	CHECKED BY	ORIG. ISSUE	ASSEMBLY NAME	REV.
JLB	-	-	URA0001	--