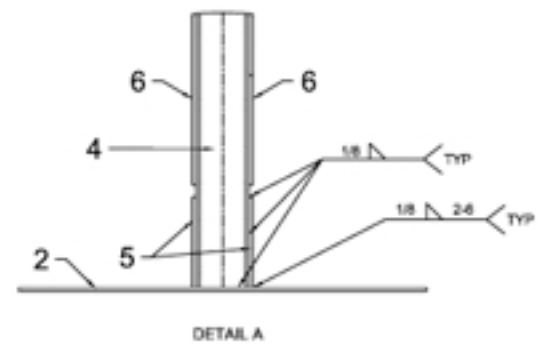
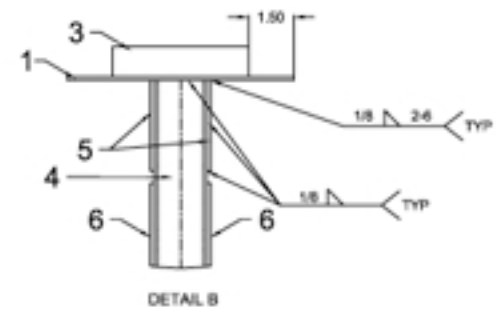
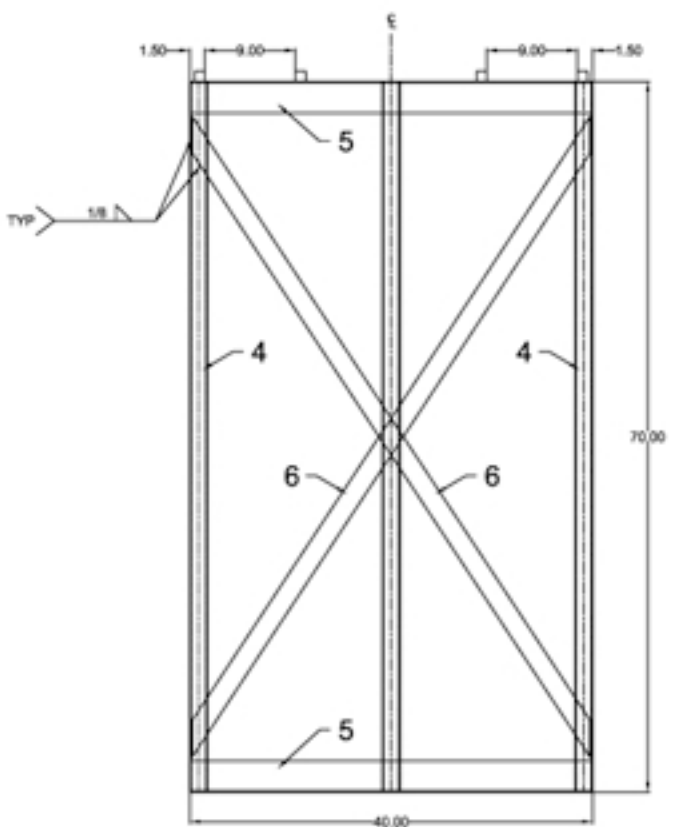
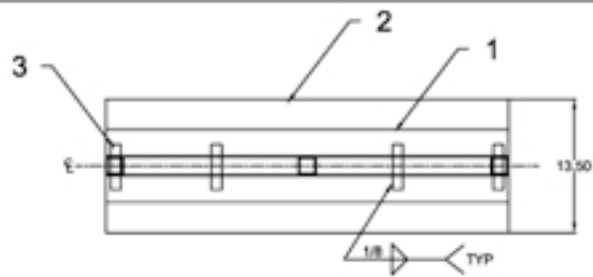


BILL OF MATERIAL

ITEM	QTY	PART NO.	DESCRIPTION
1	1	NA	1/8 X 7 1/2 X 40 ALUM SHEET 6061 T6
2	1	NA	1/8 X 13 1/2 X 40 ALUM SHEET 6061 T6
3	4	URP0005	1 SQ. X 4 1/2 ALUM BAR 6061 T6
4	3	NA	1/8 X 1 3/4 SQ X 70 ALUM TUBE 6061 T6
5	4	NA	1/8 X 3 X 40 ALUM SHEET 6061 T6
6	2	URP0013	1/8 X 2 X 74 3/4 ALUM BAR 6061 T6



DESCRIPTION
CENTER SUPPORT UPRIGHT RACK

DATE: 8-29-07
 DRAWN BY: JCP
 CHECKED BY: _____
 ASSEMBLY DRAWING FILE NAME: URA0002.MM