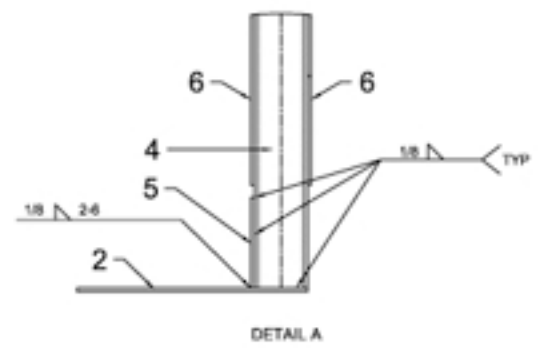
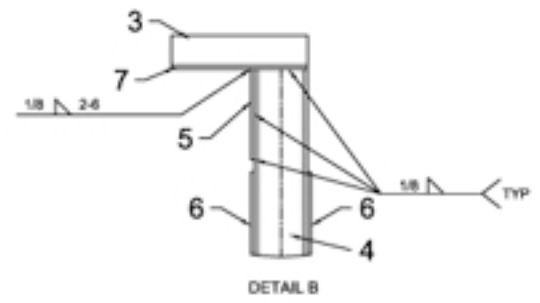
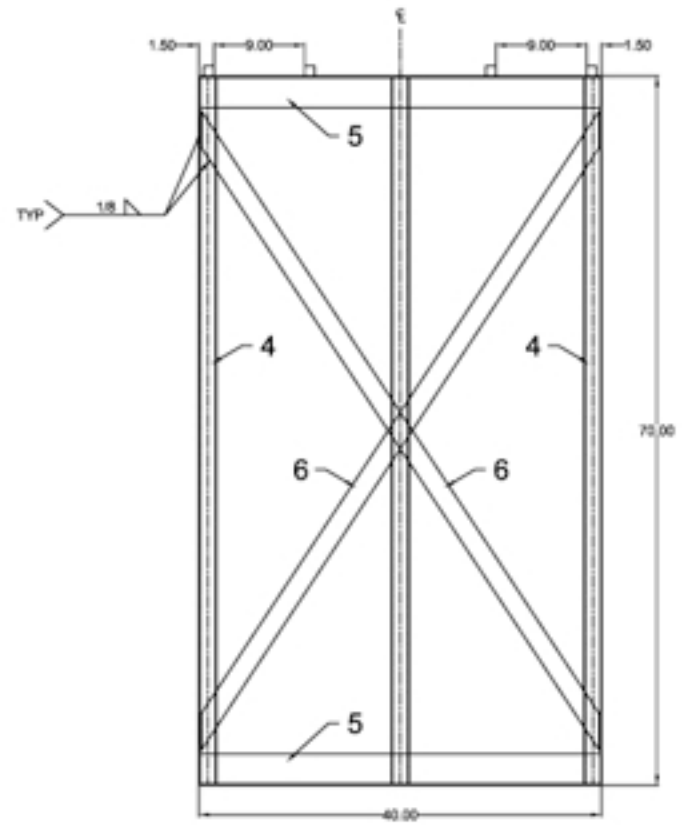
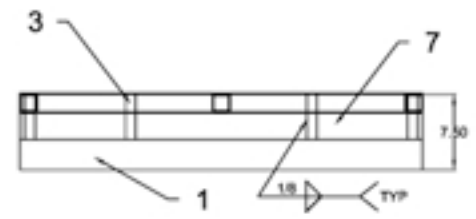


**BILL OF MATERIAL**

ITEM	QTY	PART NO.	DESCRIPTION
1	1	NA	1/8 X 7 1/2 X 40 ALUM SHEET 6061 T6
7	1	NA	1/8 X 4 1/2 X 40 ALUM SHEET 6061 T6
3	4	URR0005	1 SQ. X 4 1/2 ALUM BAR 6061 T6
4	3	NA	1/8 X 1 3/4 SQ X 70 ALUM TUBE 6061 T6
5	4	NA	1/8 X 3 X 40 ALUM SHEET 6061 T6
6	2	URR0013	1/8 X 2 X 74 3/4 ALUM BAR 6061 T6



**DESCRIPTION**  
**OUTER SUPPORT UPRIGHT RACK**

DATE: 01-24-07  
 DRAWN BY: TSP  
 CHECKED BY: \_\_\_\_\_  
 ASSEMBLY DRAWING FILE NAME: URA0003.MM